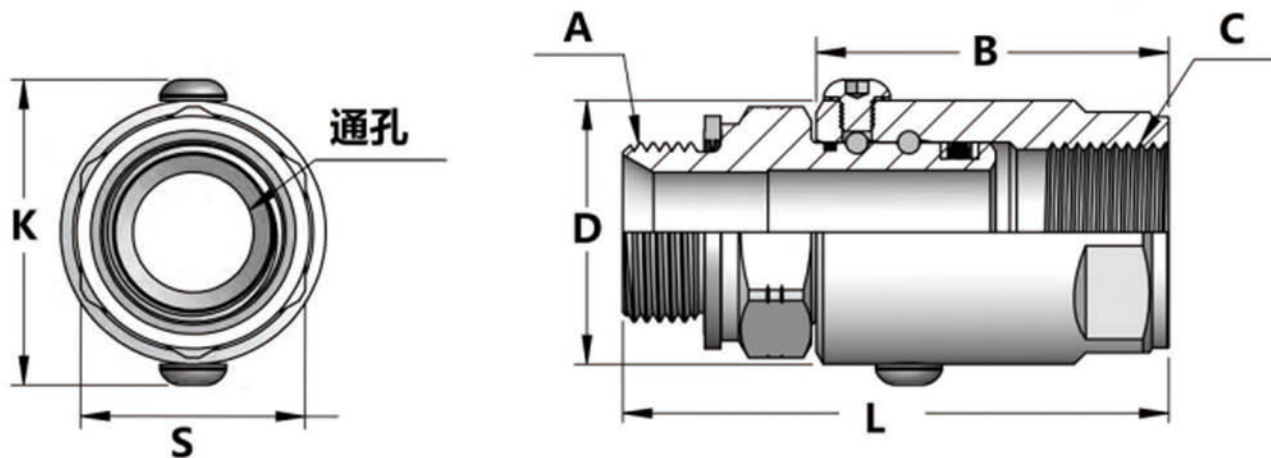


Rev:	Date:	By	Chk	Description
A.1	9/18/12	PJE	RAW	EC0 0045
A.2	10/06/12	JWW	PJE	EC0 0192



	A	B	C	D	K	L	S	压力 MPa	转速 RPM
MNA-L08	G1/4"	44	G1/4"	28	33	68	22	21	15
MNA-L10	G3/8"	46	G3/8"	35	42	70	30	21	15
MNA-L15	G1/2"	53	G1/2"	40	48	80	35	16	15
MNA-L20	G3/4"	55	G3/4"	45	52	86	38	16	15
MNA-L25	G1"	66	G1"	50	59	106	45	16	10
MNA-L32	G1-1/4"	68	G1-1/4"	60	70	112	54	12	5
MNA-L40	G1-1/2"	84	G1-1/2"	68	74	133	60	10	5

技术参数：  
 最高转速：30RPM  
 最高温度：125°C  
 最大压力：70BAR  
 介质：液压油 气 水

Drawn	JSM	6/2/03
Checked	PJE	13/43/05
Checked	PJE	11/36/08

TOLERANCE  
 EXCEPT AS NOTED  
 x.x ±.125  
 x.xx ± 0.15  
 x.xxx ± 0.005  
 ANGLES ± 0.5°

**HIDNEY**

深圳市欣德利机电设备有限公司

TEL:0755-27222664

CUSTOMER APPROVAL/DATE:

SHAFT MEL/PLTING:  
 CARBON STL  
 94-62 RC  
 BLK OXIDE

CUSTOMER:  
 STOCK

THIS DOCUMENT CONTAINS INFORMATION WHICH IS PROPRIETARY TO DYNAMIC SEALING TECHNOLOGIES, INC. (HIDNEY). NO REPRODUCTION OR PUBLICATION OF THIS DOCUMENT OR ITS CONTENTS, IN WHOLE OR PART SHALL BE MADE WITHOUT THE WRITTEN CONSENT FROM HIDNEY.

SHAFT MEL/PLTING:  
 CARBON STL  
 BLK OXIDE

P/N:  
 REV:  
 A 4

THIRD ANGLE PROJECTION:

