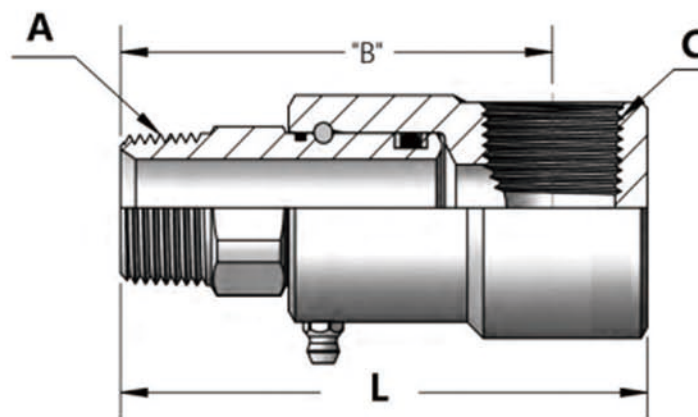
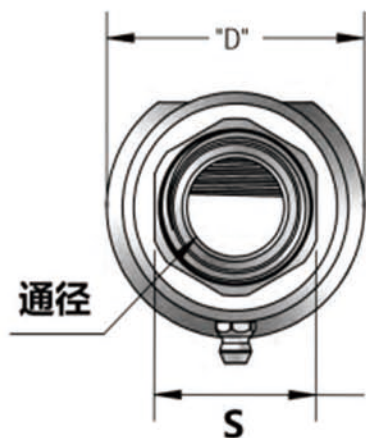


# SHEET1

Rev:	Date:	By	Chk	Description
A.1	9/18/12	PJE	RAW	EC0 0045
A.2	10/06/12	JWW	PJE	EC0 0192



	A	B	C	D	K	L	S	压力 MPa	转速 RPM
MNA-E08	R1/4"	48	Rc1/4"	30		63	20	7.0	30
MNA-E10	R3/8"	54	Rc3/8"	38		73	25	7.0	30
MNA-E15	R1/2"	58	Rc1/2"	38		81	28	5.0	20
MNA-E20	R3/4"	61	Rc3/4"	43		87	35	4.0	20
MNA-E25	R1"	82	Rc1"	55		114	42	4.0	15
MNA-E32	R1-1/4"	88	Rc1-1/4"	68		123	51	4.0	10
MNA-E40	R1-1/2"	112	Rc1-1/2"	74		157	60	4.0	10
MNA-E50	R2"	128	Rc2"	93		178	73	2.5	5

技术参数：  
 最高转速：30RPM  
 最高温度：125°C  
 最大压力：70BAR  
 介质：液压油 气 水

Drawn	JSM	6/2/03
Checked	PJE	13/43/05
Checked	PJE	11/36/08

TOLERANCE  
 EXCEPT AS NOTED  
 x.x ±.125  
 x.xx ± 0.15  
 x.xxx ± 0.005  
 ANGLES ± 0.5°

# HIDNEY

深圳市欣德利机电设备有限公司

TEL:0755-27222664

CUSTOMER APPROVAL/DATE:

SHAFT MEL/PLTING:  
 CARBON STL  
 94-62 RC  
 BLK OXIDE

CUSTOMER:  
 STOCK

THIS DOCUMENT CONTAINS INFORMATION WHICH IS PROPRIETARY TO DYNAMIC SEALING TECHNOLOGIES, INC. (HIDNEY). NO REPRODUCTION OR PUBLICATION OF THIS DOCUMENT OR ITS CONTENTS, IN WHOLE OR PART SHALL BE MADE WITHOUT THE WRITTEN CONSENT FROM HIDNEY.

SHAFT MEL/PLTING:  
 CARBON STL  
 BLK OXIDE

P/N:  
 REV:  
 A 4

THIRD ANGLE PROJECTION:

