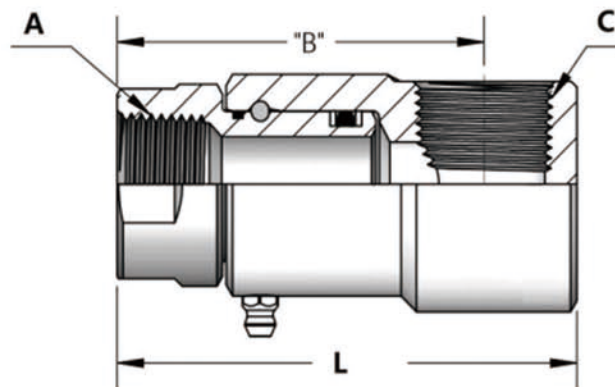
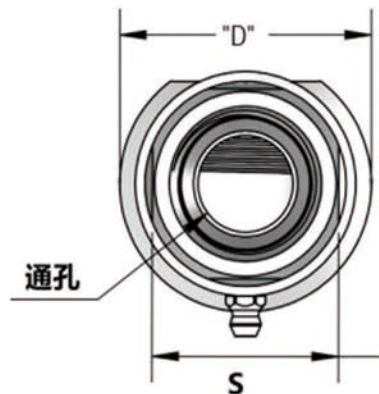


SHEET1

Rev:	Date:	By	Chk	Description
A.1	9/18/12	PJE	RAW	EC0 0045
A.2	10/06/12	JWW	PJE	EC0 0192



	A	B	C	D	K	L	S	压力 MPa	转速 RPM
MNA-D08	Rc1/4"	48	Rc1/4"	30		58	20	7.0	30
MNA-D10	Rc3/8"	54	Rc3/8"	38		68	25	7.0	30
MNA-D15	Rc1/2"	58	Rc1/2"	38		72	28	5.0	20
MNA-D20	Rc3/4"	61	Rc3/4"	43		77	35	4.0	20
MNA-D25	Rc1"	82	Rc1"	55		103	42	4.0	15
MNA-D32	Rc1-1/4"	88	Rc1-1/4"	68		110	51	4.0	10
MNA-D40	Rc1-1/2"	112	Rc1-1/2"	74		143	60	4.0	10
MNA-D50	Rc2"	128	Rc2"	93		165	73	2.5	5

技术参数：
 最高转速：30RPM
 最高温度：125°C
 最大压力：70BAR
 介质：液压油 气 水

Drawn	JSM	6/2/03
Checked	PJE	13/43/05
Checked	PJE	11/36/08

TOLERANCE
 EXCEPT AS NOTED
 x.x ±.125
 x.xx ± 0.15
 x.xxx ± 0.005
 ANGLES ± 0.5°

HIDNEY

深圳市欣德利机电设备有限公司

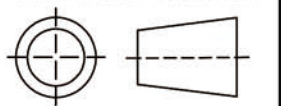
TEL:0755-27222664

CUSTOMER APPROVAL/DATE:

SHAFT MEL/PLTING:
 CARBON STL
 94-62 RC
 BLK OXIDE

CUSTOMER:
 STOCK

THIRD ANGLE PROJECTION:



THIS DOCUMENT CONTAINS INFORMATION WHICH IS PROPRIETARY TO DYNAMIC SEALING TECHNOLOGIES, INC. (HIDNEY). NO REPRODUCTION OR PUBLICATION OF THIS DOCUMENT OR ITS CONTENTS, IN WHOLE OR PART SHALL BE MADE WITHOUT THE WRITTEN CONSENT FROM HIDNEY.

SHAFT MEL/PLTING:
 CARBON STL
 BLK OXIDE

P/N:
 REV:
 A 4