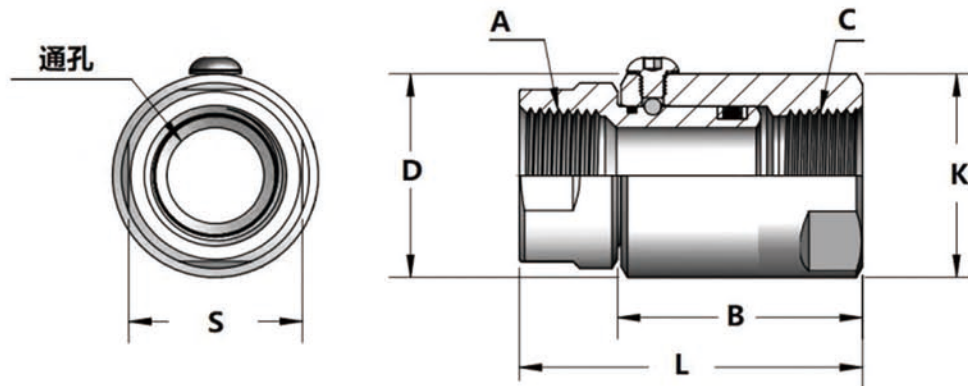


SHEET1

Rev:	Date:	By	Chk	Description
A.1	9/18/12	PJE	RAW	EC0 0045
A.2	10/06/12	JWW	PJE	EC0 0192



	A	B	C	D	K	L	S	压力 MPa	转速 RPM
MNA-A08	Rc1/4"	36	Rc1/4"	25	22	57	22	7.0	30
MNA-A10	Rc3/8"	40	Rc3/8"	32	28	62	24	7.0	30
MNA-A15	Rc1/2"	42	Rc1/2"	38	32	65	28	5.0	20
MNA-A20	Rc3/4"	46	Rc3/4"	42	38	69	35	5.0	15
MNA-A25	Rc1"	57	Rc1"	48	44	83	42	4.0	15
MNA-A32	Rc1-1/4"	68	Rc1-1/4"	60	53	95	51	4.0	10
MNA-A40	Rc1-1/2"	75	Rc1-1/2"	65	61	105	60	4.0	10
MNA-A50	Rc2"	87	Rc2"	78	73	115	73	2.5	5
MNA-A65	Rc2-1/2"	97	Rc2-1/2"	91	85	135	85	2.5	5

技术参数：
 最高转速：30RPM
 最高温度：125°C
 最大压力：70BAR
 介质：液压油 气 水

Drawn	JSM	6/2/03
Checked	PJE	13/43/05
Checked	PJE	11/36/08

TOLERANCE
 EXCEPT AS NOTED
 x.x ±.125
 x.xx ± 0.15
 x.xxx ± 0.005
 ANGLES ± 0.5°

HIDNEY

深圳市欣德利机电设备有限公司

TEL:0755-27222664

CUSTOMER APPROVAL/DATE:

SHAFT MEL/PLTING:
 CARBON STL
 94-62 RC
 BLK OXIDE

CUSTOMER:
 STOCK

THIS DOCUMENT CONTAINS INFORMATION WHICH IS PROPRIETARY TO DYNAMIC SEALING TECHNOLOGIES, INC. (HIDNEY) NO REPRODUCTION OR PUBLICATION OF THIS DOCUMENT OR IT IS CONTENTS, IN WHOLE OR PART SHALL BE MADE WITHOUT THE WRITTEN CONSENT FROM HIDNEY

SHAFT MEL/PLTING:
 CARBON STL
 BLK OXIDE

P/N:
 REV:
 A 4

THIRD ANGLE PROJECTION:

