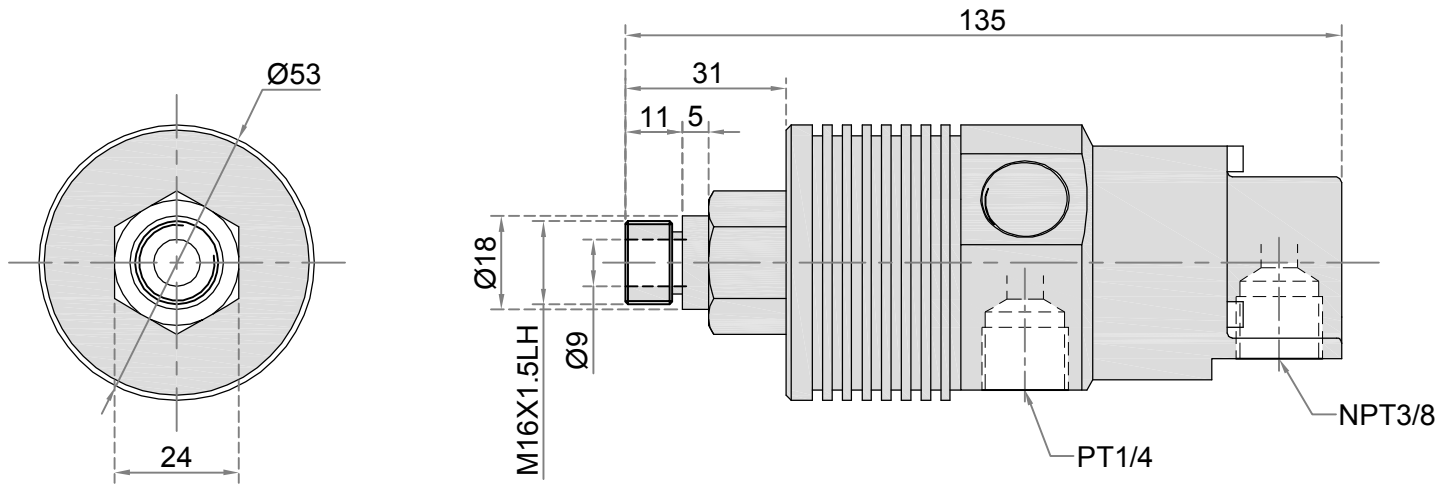


Generated by Foxit PDF Creator © Foxit Software
http://www.foxitsoftware.com For evaluation only.

SHEET1

| Rev: | Date: | By | Chk | Description |
|------|----------|-----|-----|-------------|
| A.1 | 9/18/12 | PJE | RAW | EC0 0045 |
| A.2 | 10/06/12 | JWW | PJE | EC0 0192 |



型号:MG12000-040-17

技术参数：
最高转速：12000RPM
最高温度：125℃
最大压力：50BAR
介质：冷却液

| | | |
|---------|-----|----------|
| Drawn | JSM | 6/2/03 |
| Checked | PJE | 13/43/05 |
| Checked | PJE | 11/36/08 |

TOLERANCE
EXCEPT AS NOTED
x.x ±.125
x.xx ± 0.15
x.xxx ± 0.005
ANGLES ± 0.5°

HIDNEY

深圳市欣德利机电设备有限公司

TEL:0755-27222664

CUSTOMER APPROVAL/DATE:

SHAFT MEL/PLTING:

CARBON STL
94-62 RC
BLK OXIDE

CUSTOMER:

STOCK

THIS DOCUMENT CONTAINS INFORMATION WHICH IS PROPRIETARY TO DYNAMIC SEALING TECHNOLOGIES,INS (HIDNEY) NO REPRODUCTION OR PUBLICATION OF THIS DOCUMENT OR IT IS CONTENTS,IN SHOLE OR PART SHALL BE MADE WITHOUT THE WRITTEN CONSENT FROM HIDNEY

SHAFT MEL/PLTING:

CARBON STL
BLK OXIDE

P/N:

REV:

A 4

THIRD ANGLE PROJECTION:

