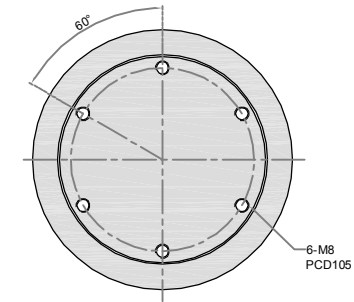
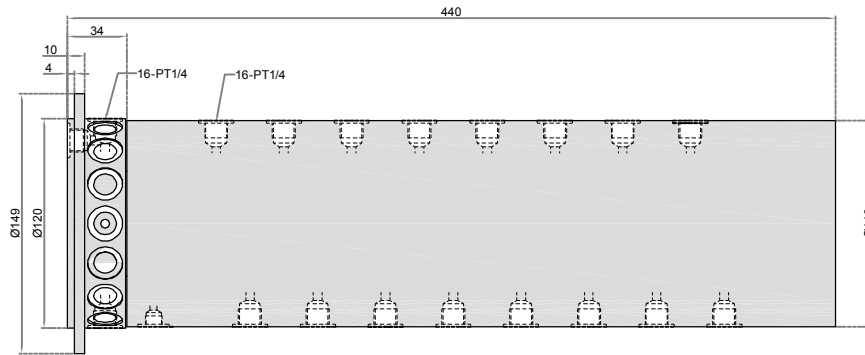
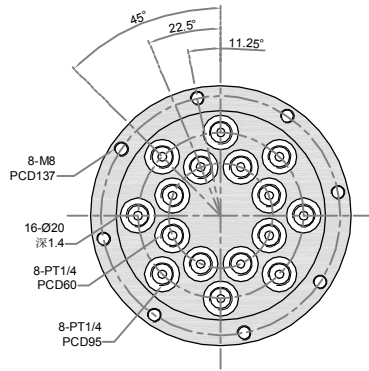


SHEET1

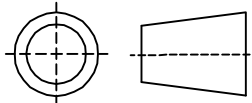
Rev:	Date:	By	Chk	Description
A.1	9/18/12	PJE	RAW	EC0 0045
A.2	10/06/12	JWW	PJE	EC0 0192

Generated by Foxit PDF Creator © Foxit Software
http://www.foxitsoftware.com For evaluation only.



技术参数：
最高转速：80RPM
最高温度：185°C
最大压力：350BAR
介质：液压油 水

THIRD ANGLE PROJECTION:



Drawn	JSM	6/2/03
Checked	PJE	13/43/05
Checked	PJE	11/36/08

TOLERANCE
EXCEPT AS NOTED
x.x ±.125
x.xx ± 0.15
x.xxx ± 0.005
ANGLES ± 0.5°

SHAFT MEL/PLTING:
CARBON STL
94-62 RC
BLK OXIDE

SHAFT MEL/PLTING:
CARBON STL
BLK OXIDE

CUSTOMER APPROVAL/DATE:

THIS DOCUMENT CONTAINS INFORMATION WHICH IS PROPRIETARY TO DYNAMIC SEALING TECHNOLOGIES,INS (HIDENEY) NO REPRODUCTION OR PUBLICATION OF THIS DOCUMENT OR IT IS CONTENTS,IN SHOLE OF PART SHALL BE MADE WITHOUT THE WRITTEN CONSENT FROM HIDENEY

HIDENEY

深圳市欣德利机电设备有限公司

TEL:0755-27222664

CUSTOMER:

STOCK

P/N:

REV:

A 4