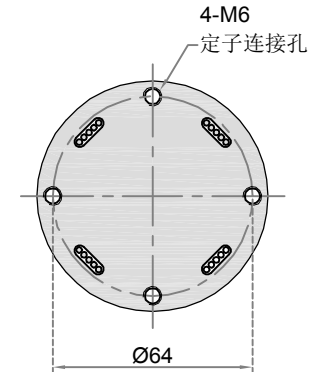
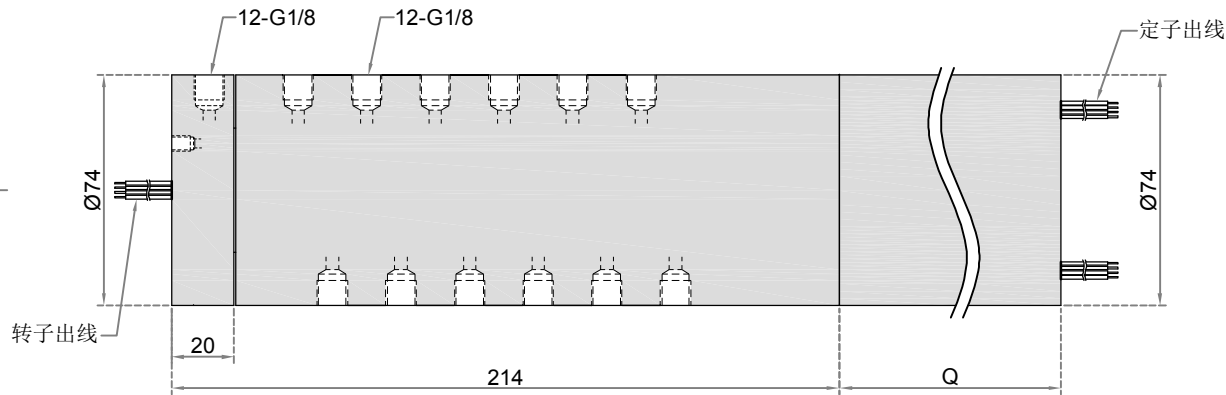
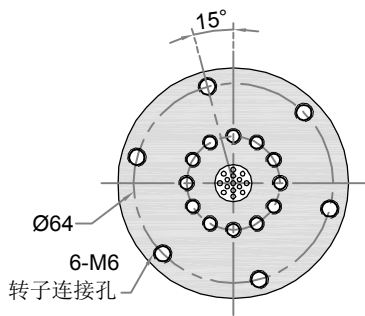


SHEET1

| Rev: | Date: | By | Chk | Description |
|------|----------|-----|-----|-------------|
| A.1 | 9/18/12 | PJE | RAW | ECO 0045 |
| A.2 | 10/06/12 | JWW | PJE | ECO 0192 |



技术参数:
 最高转速:300RPM 最大压力:10Bar 最高温度:125° C
 气通路:12路 标准电通路:6~60路 (电通路数量可)
 标准电流2A/5A(可定大电流)
 标准产品: 只可以通电流普通信号 (USB CC-LINK、EtherCAT、EnterBUS、CanBUS、ProfiBUS、ProfiNET、DeviceNet,RS422、RS485、PLC等)
 额定电压:0~440VAC/VDC 绝缘电阻≥1000MΩ /500VDC
 导线规格:AWG16#镀锡铁氟龙/AWG22#镀锡铁氟龙
 绝缘强度:500VAC@50Hz, 60s
 导线长度:标准长度300mm(可据要求调整)
 动态电阻变化值<0.01Ω 接触材料:贵金属
 防护等级:IP51

| 型号规格 | 电流 | 电通路数 | Q长度mm |
|-----------------|----|------|-------|
| MFQD1218-S0605 | 5A | 6通路 | 36mm |
| MFQD1218-S01205 | 5A | 12通路 | 66mm |
| MFQD1218-S01802 | 2A | 18通路 | 66mm |
| MFQD1218-S02402 | 2A | 24通路 | 66mm |
| MFQD1218-S03602 | 2A | 36通路 | 71mm |
| MFQD1218-S05602 | 2A | 56通路 | 91mm |

| 型号规格 | 电流 | 电通路数 | Q长度mm |
|-----------------|----|------|-------|
| MFQD1218-S01805 | 5A | 18通路 | 93mm |
| MFQD1218-S02405 | 5A | 24通路 | 110mm |
| MFQD1218-S03005 | 5A | 30通路 | 127mm |
| MFQD1218-S03605 | 5A | 36通路 | 147mm |
| MFQD1218-S04205 | 5A | 42通路 | 167mm |
| MFQD1218-S04805 | 5A | 48通路 | 182mm |
| MFQD1218-S06005 | 5A | 60通路 | 227mm |

| | | |
|---------|-----|----------|
| Drawn | JSM | 6/2/03 |
| Checked | PJE | 13/43/05 |
| Checked | PJE | 11/36/08 |

TOLERANCE EXCEPT AS NOTED
 x.x ±.125
 x.xx ± 0.15
 x.xxx ± 0.005
 ANGLES ± 0.5°

HIDNEY

深圳市欣德利机电设备有限公司
 TEL:0755-27222664

CUSTOMER APPROVAL/DATE:

SHAFT MEL/PLTING:
 CARBON STL
 94-62 RC
 BLK OXIDE

CUSTOMER:
 STOCK

THIS DOCUMENT CONTAINS INFORMATION WHICH IS PROPRIETARY TO DYNAMIC SEALING TECHNOLOGIES.INS (HIDENY) NO REPRODUCTION OR PUBLICATION OF THIS DOCUMENT OR IT IS CONTENTS,IN SHOLE OR PART SHALL BE MADE WITHOUT THE WRITTEN CONSENT FROM HIDNEY

SHAFT MEL/PLTING:
 CARBON STL
 BLK OXIDE

P/N:
 REV:
 A 4

THIRD ANGLE PROJECTION:

